

VDD 供电 3V 和 5V 接线图 差异区别 比较资料



语音芯片开发-深圳市环芯半导体有限公司

电话 Tel: 0755-28149272

086-18922809111

掩膜 OTP: 主营 语音芯片, 玩具 IC, 录音 IC, 门铃 IC, 音乐芯片

邮箱 QQ: 68681298@qq.com

Http://www.ATChip.Com

VDD 供电 3V 和 5V 接线图 差异比较 转换 资料

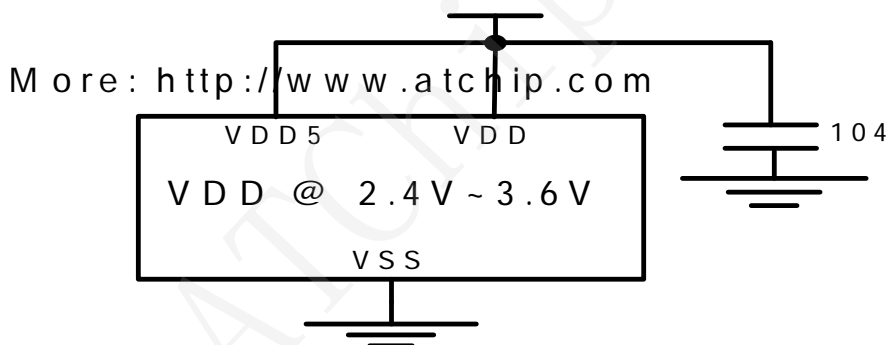
资料说明:比较资料适用于环芯公司的 AC8040 和 AC8080 两款 OTP 语音芯片

同时适用于 4.5V 供电

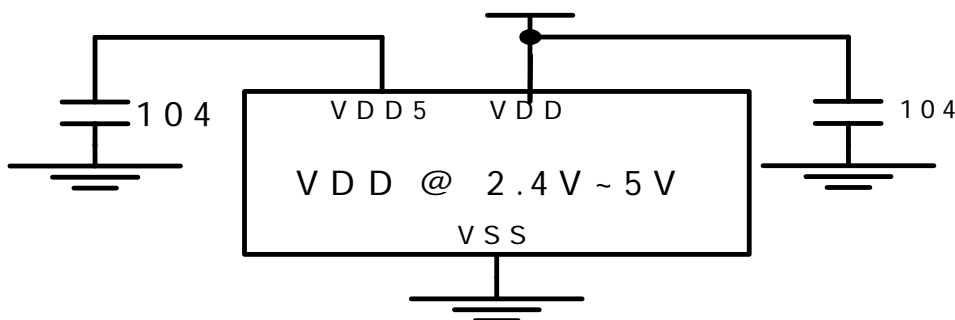
OTP 语音芯片 40 秒 AC8040 / AC8080 / 3 V 和 4.5V

供电接线方法和差异比较

AC8040 / AC8080 3V Vs 5V Comparison



AC8040 Vdd @ Comparison 3V Vs 5V



VDD 供电 3V 和 5V 接线图 差异区别 比较资料



语音芯片开发-深圳市环芯半导体有限公司

电话 Tel: 0755-28149272

086-18922809111

掩膜 OTP: 主营 语音芯片, 玩具 IC, 录音 IC, 门铃 IC, 音乐芯片

邮箱 QQ: 68681298@qq.com

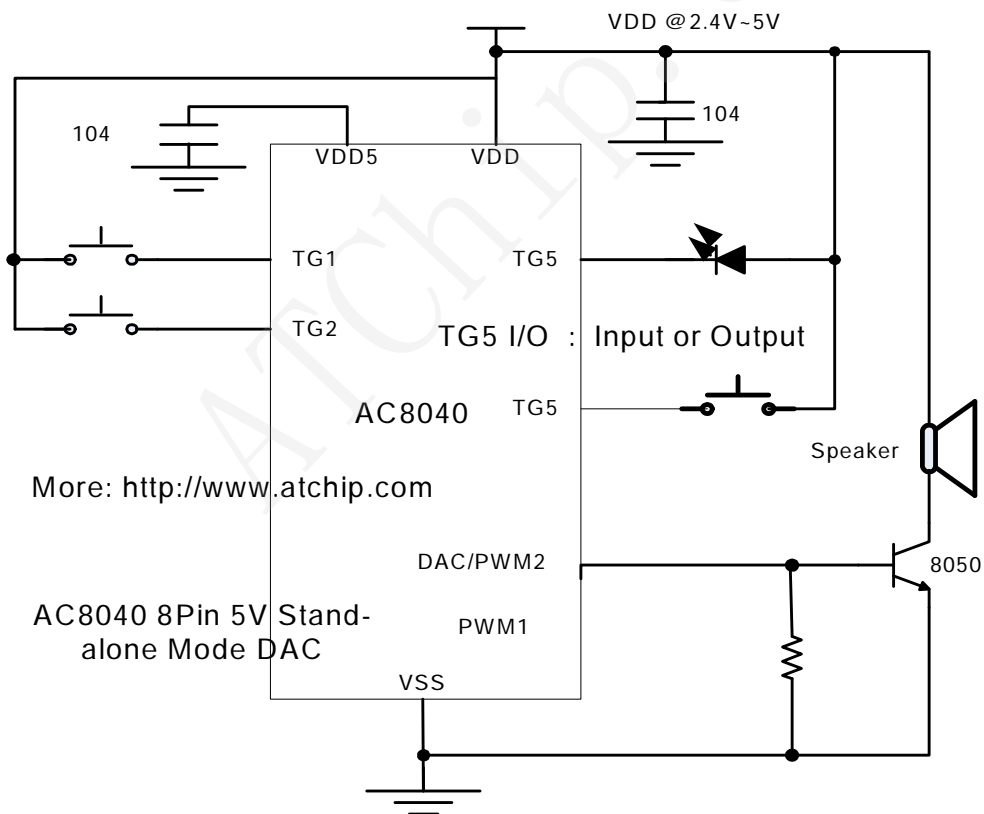
Http://www.ATChip.Com

(附接线参考图,更多详细资料请访问相关产品原理图)

U 8 脚语音芯片 OTP40 秒 AC8040 /4.5 V 供电按键模式

接线图 DAC 三极管/功放/推喇叭

AC8040 8Pin / 4.5V Stand-alone Mode DAC



VDD 供电 3V 和 5V 接线图 差异区别 比较资料



语音芯片开发-深圳市环芯半导体有限公司

电话 Tel: 0755-28149272

086-18922809111

掩膜 OTP: 主营 语音芯片, 玩具 IC, 录音 IC, 门铃 IC, 音乐芯片

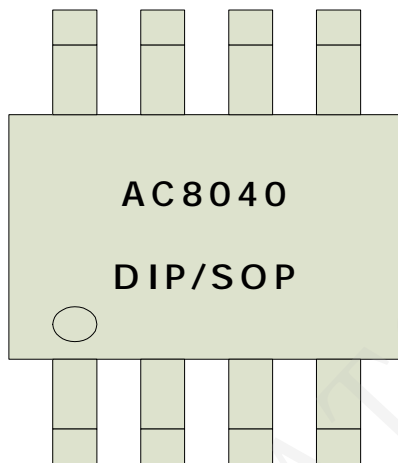
邮箱 QQ: 68681298@qq.com

Http://www.ATChip.Com

(附脚位参考图,更多详细资料请访问相关产品原理图)

u AC8040 封装形式 DIP8 / SOP8

AC8040 – DIP8/SOP8



| PIN | NAME |
|-----|----------|
| 1 | TG2 |
| 2 | TG1 |
| 3 | TG5 |
| 4 | VSS |
| 5 | PWM2/DAC |
| 6 | PWM1 |
| 7 | VDD |
| 8 | VDD5 |

VDD 供电 3V 和 5V 接线图 差异区别 比较资料



语音芯片开发-深圳市环芯半导体有限公司

电话 Tel: 0755-28149272

086-18922809111

掩膜 OTP: 主营 语音芯片, 玩具 IC, 录音 IC, 门铃 IC, 音乐芯片

邮箱 QQ: 68681298@qq.com

Http://www.ATChip.Com

(附 AC8040 脚位资料,更多详细资料请访问相关产品原理图)

u AC8040 PIN Descriptions

| PIN NAME | I/O | Function |
|-------------|----------------|---|
| TG1 | INPUT | Key Stand-alone Trigger Mode : TG1 is used to trigger the maximum 32 Voice Group one by one sequentially. |
| | | Serial Trigger Mode : TG1 is used to trigger the maximum 64 Voice Group. |
| | | CPU Command Mode : TG1 is used as Data Input Pin (DIO1). |
| TG2 | INPUT | Key Stand-alone Trigger Mode : TG2 is used to trigger the maximum 21 Voice Group one by one sequentially. |
| | | CPU Command Mode : TG2 is used as Clock Pin (CLK). |
| TG5 | INPUT | Key Stand-alone Trigger Mode : TG5 is used trigger Only One Group. |
| | | Serial Trigger Mode : TG5 is used to trigger the maximum 64 Voice Group |
| | | CPU Command Mode : TG5 is used as Data Input Pin (DIO2). |
| | As a RESET PIN | |
| | OUTPUT | As Output PIN , Output the BUSY or Flash Signal . |
| PWM1 | OUTPUT | As a PWM PIN , can Directly drive the Speaker . |
| | | |
| PWM2 | OUTPUT | As a PWM PIN , can Directly drive the Speaker . |
| | | As a DAC PIN , 8 bit D/A Current Output. |
| VDD | INPUT | Power Supply PIN |
| | | |
| VDD5 | INPUT | Power Supply PIN , Connected with VDD @ 2.4~3.6 V Working Voltage. |
| | | Power Supply PIN , Connected with a 0.1 uF to VSS. @3.6~5V Working Voltage. |
| VSS | INPUT | Connected to Ground. |